

AXCEN

PHOTONICS CORPORATION

AXFE-1311 125Mbps Single-mode 1310nm, 1x9 ST Transceiver



Product Overview

The AXFE-1311 family of 1x9 ST transceiver module is specifically designed for the high performance integrated duplex data link over single-mode optical fiber. These transceiver modules are compliant with the ST Multisource Agreement (MSA). These modules are designed to provide 100Base-FX compliant in Fast Ethernet applications.

The AXFE-1311 transceivers using a long wavelength (1310nm) light source enable data transmission up to 80km on a single-mode (9/125 μ m) optical fiber.

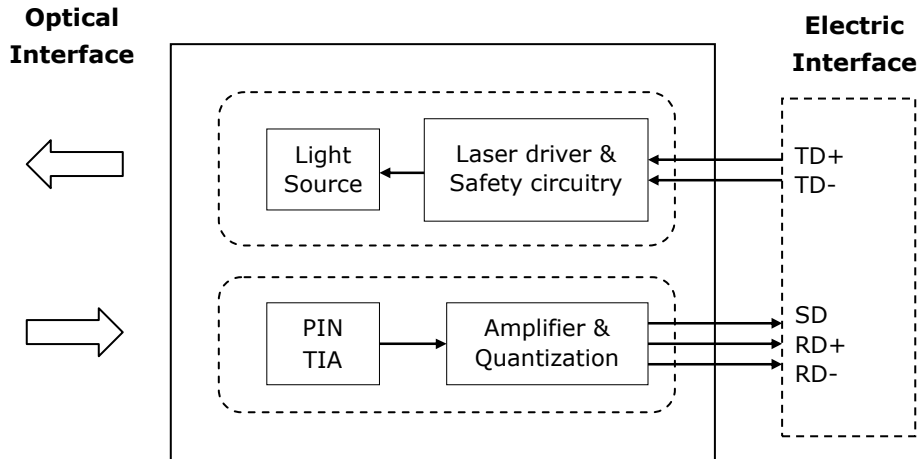
Features

- Duplex ST receptacle
- 125Mbps IEEE802.3ah 100BASE-LX10 compatible
- 155Mbps ITU-T G957 STM S-1.1/L-1.1 compatible
- 155Mbps SONET OC-3 IR-1/LR-1 compatible
- Single +3.3~5V power supply operation
- DC coupled PECL level inputs and outputs
- PECL signal detect output
- Class 1 laser safety standard IEC 60825 compliant
- 80 km link on a single-mode fiber
- Low power dissipation

Applications

- ATM switches and routers
- Fast Ethernet
- FDDI

Block diagram

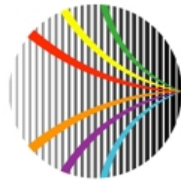


Absolute Maximum Ratings

Parameter	Symbol	Min.	Max.	Unit	Note
Storage Temperature	T_S	-40	+85	°C	
Supply Voltage	V_{CCT} V_{CCR}	-0.5	6.0	V	
Storage Relative Humidity	RH	5	95	%	
Lead Soldering Temperature	T_{Is}		260	°C	
Lead Soldering Time	t_{Is}		10	sec	

Recommended Operating Conditions

Parameter	Symbol	Min.	Typ.	Max.	Unit	Note
Case Operating Temperature	T_C	0		70	°C	Refer to ordering information
		-40		85		
Supply Voltage	V_{CC}	3.1	3.3	3.5	V	
		4.75	5.0	5.25		
Supply Current	$I_{TX} + I_{RX}$		150	300	mA	



Transmitter Electro-Optical Interface

Parameter	Symbol	Min.	Typ.	Max.	Unit	Note
Data Input Voltage - Low	V_L-V_{CC}	-1.81		-1.475	V	
Data Input Voltage - High	V_H-V_{CC}	-1.165		-0.880	V	
Optical Output Power	P_O	+0		+5	dBm	
Optical Extinction Ratio	E_R	10			dB	
Center Wavelength	λ_C	1270		1355	nm	
Spectral Width (RMS)	$\Delta\lambda$			2.5	nm	
Optical Rise Time	t_r			2.0	ns	1
Optical Fall Time	t_f			2.0	ns	1
Duty Cycle Distortion	DCD			1.0	ns	
Random Jitter	RJ			0.76	ns	

Notes:

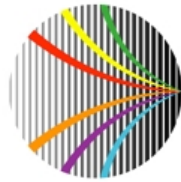
1. 10% to 90% value

Receiver Electro-Optical Characteristics

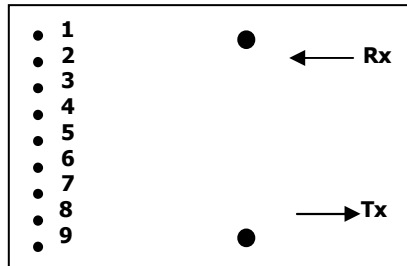
Parameter	Symbol	Min.	Typ.	Max.	Unit	Note
Receiver Overload	P_{INMAX}	+0			dBm	1
Receiver Sensitivity	P_{INMIN}			-35	dBm	1
Operating Center Wavelength	λ_C	1260		1620	nm	
Signal Detect - Asserted	P_{SDA}			-35	dBm	
Signal Detect - Deasserted	P_{SDD}	-45			dBm	
Signal Detect - Hysteresis	P_{SDH}	0.5			dB	
Receiver Output Voltage - Low	$V_{OL}-V_{CC}$	-2		-1.58	V	
Receiver Output Voltage - High	$V_{OH}-V_{CC}$	-1.1		-0.74	V	

Notes:

1. With BER better than or equal to 1×10^{-12} , measured in the center of the eye opening with $2^7 - 1$ PRBS



Pin Description

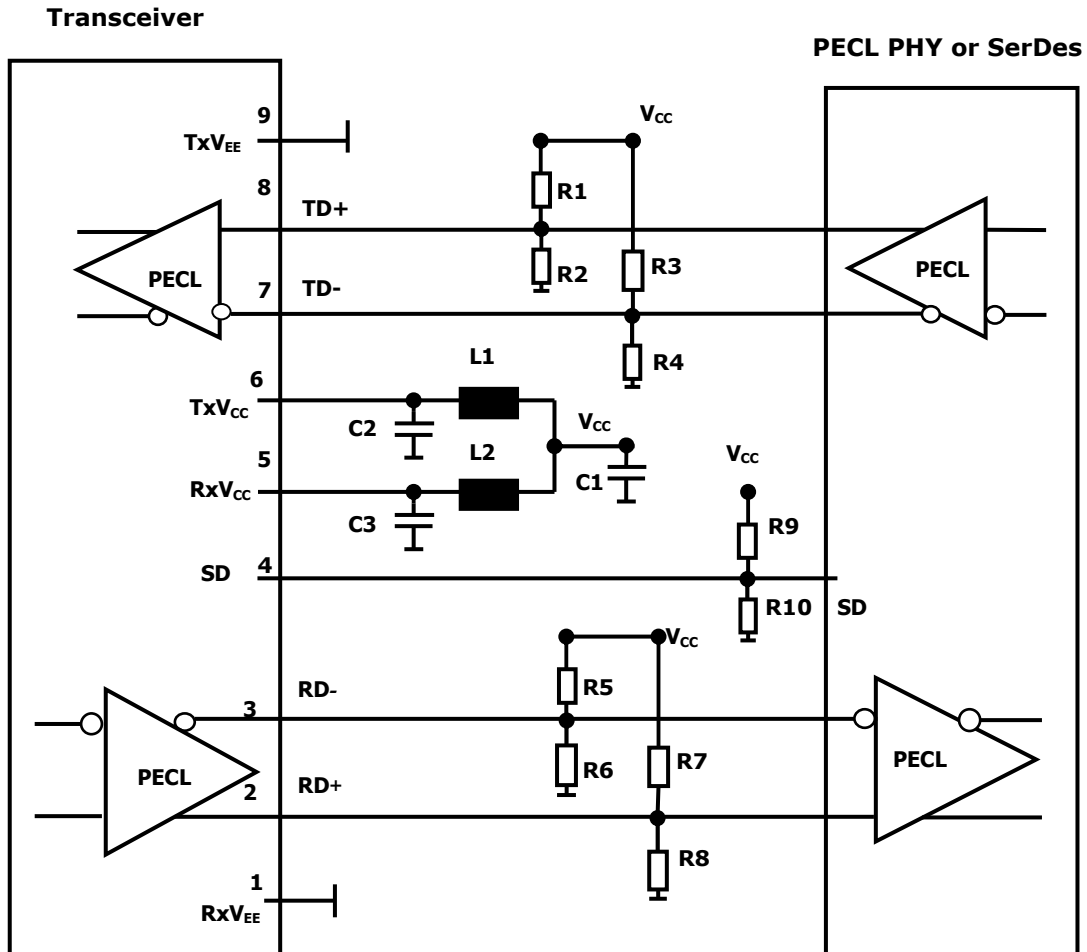


Top View

Pin No	Pin Name	Function	Notes
1	RxV _{EE}	Receiver signal ground	
2	RD+	Receiver data out	
3	RD-	Receiver data out bar	
4	SD	Signal detect	
5	RxV _{CC}	Receiver power supply	
6	TxV _{CC}	Transmitter power supply	
7	TD-	Transmitter data in bar	
8	TD+	Transmitter data in	
9	TxV _{EE}	Transmitter signal ground	

Recommended Interface Circuit

TX DC Coupling / RX DC Coupling, PECL Signal Detect



Notes:

R1/R3/R5/R7/R9=130 ohm @3.3V (Depends on SerDes chip used.)

=82 ohm @5V (Depends on SerDes chip used.)

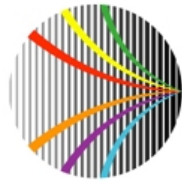
R2/R4/R6/R8/R10=82 ohm @3.3V (Depends on SerDes chip used.)

=130 ohm @5V (Depends on SerDes chip used.)

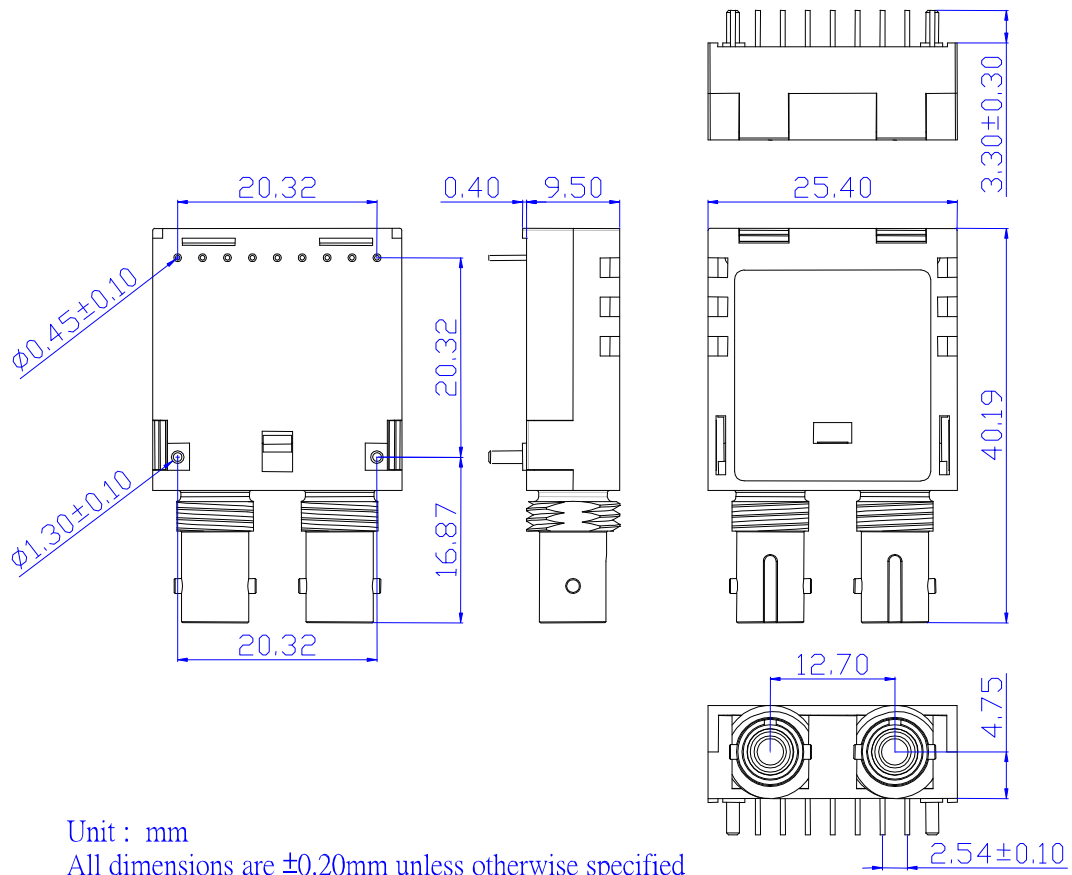
C1=10uF

C2/C3=0.1uF

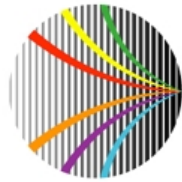
L1=L2=1uH



Mechanical Dimensions (Units in mm)



Unit : mm
All dimensions are ± 0.20 mm unless otherwise specified



Ordering Information

AXFE-1311-0KC_x



Operating Temperature

6: 0~70°C

7: -40~85°C

Model No.	Wavelength	LD	I/O	SD	Link	Temp.
AXFE-1311-0KC6	1310nm	FP	DC/DC	PECL	80km	0~70°C
AXFE-1311-0KC7	1310nm	FP	DC/DC	PECL	80km	-40~85°C

NOTE:

Distances are indicative only. Attenuation of 0.40 dB/km is used for the link length calculations. To calculate a more precise link budget based on specific conditions in your application, please refer to the Optical Specifications in Page#3.